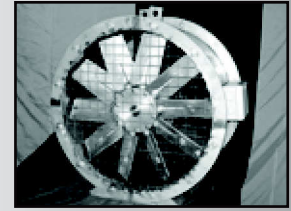


### Motor in line Axial Fan

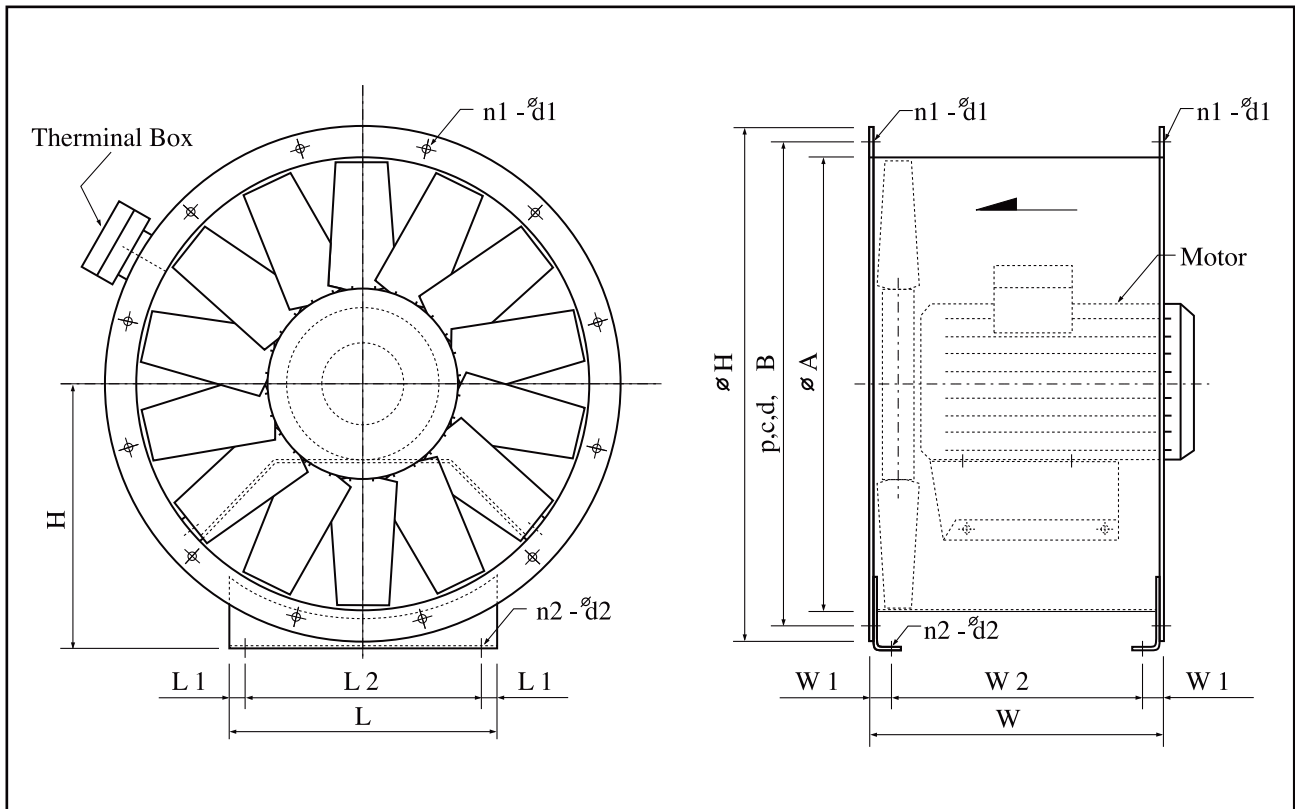
- Housing materials : Steel, Galvanized sheet, Stainless steel
- Impeller materials : Plastic, Aluminum or Steel

**Applications:**

- Factory ventilation systems



### Type AV-Exxx



MODEL	MOTOR 3-Phase./380 V.		CAP. (CMM.)	SP. (mm.Aq)	øA	B	øC	L	L1	L2	W	W1	W2	H1	n1-ød1	n2-ød2
	Hp.	R.P.M.														
AV-E116	0.5-1	1450	30-80	1.5-7	400	440	476	250	15	220	275	20	235	250	12-ø10	4-ø10
AV-E120	0.5-2	1450	63-158	1.5-12	500	540	580	310	20	270	300	20	260	300	12-ø12	4-ø10
AV-E124	1-3	1450	115-280	2-16	600	640	680	350	20	310	380	20	340	350	12-ø12	4-ø10
AV-E128	2-5	1450	150-300	4-20	700	748	788	400	20	360	410	25	360	410	12-ø12	4-ø10
AV-E130	2-7.5	1450	150-350	5-30	750	795	840	440	25	390	450	27.5	395	440	12-ø12	4-ø10
AV-E132	2-7.5	1450	150-450	5-30	800	855	900	440	25	470	500	27.5	445	470	12-ø12	4-ø10
AV-E134	3-10	1450	250-500	10-30	850	905	950	540	25	490	560	27.5	505	495	16-ø12	4-ø12
AV-E136	3-15	1450	300-800	10-30	900	955	1000	600	25	550	620	27.5	565	520	16-ø12	4-ø12

\* Dimension might be adjusted without notice

