

Axial Duct Fan : Belt Drive

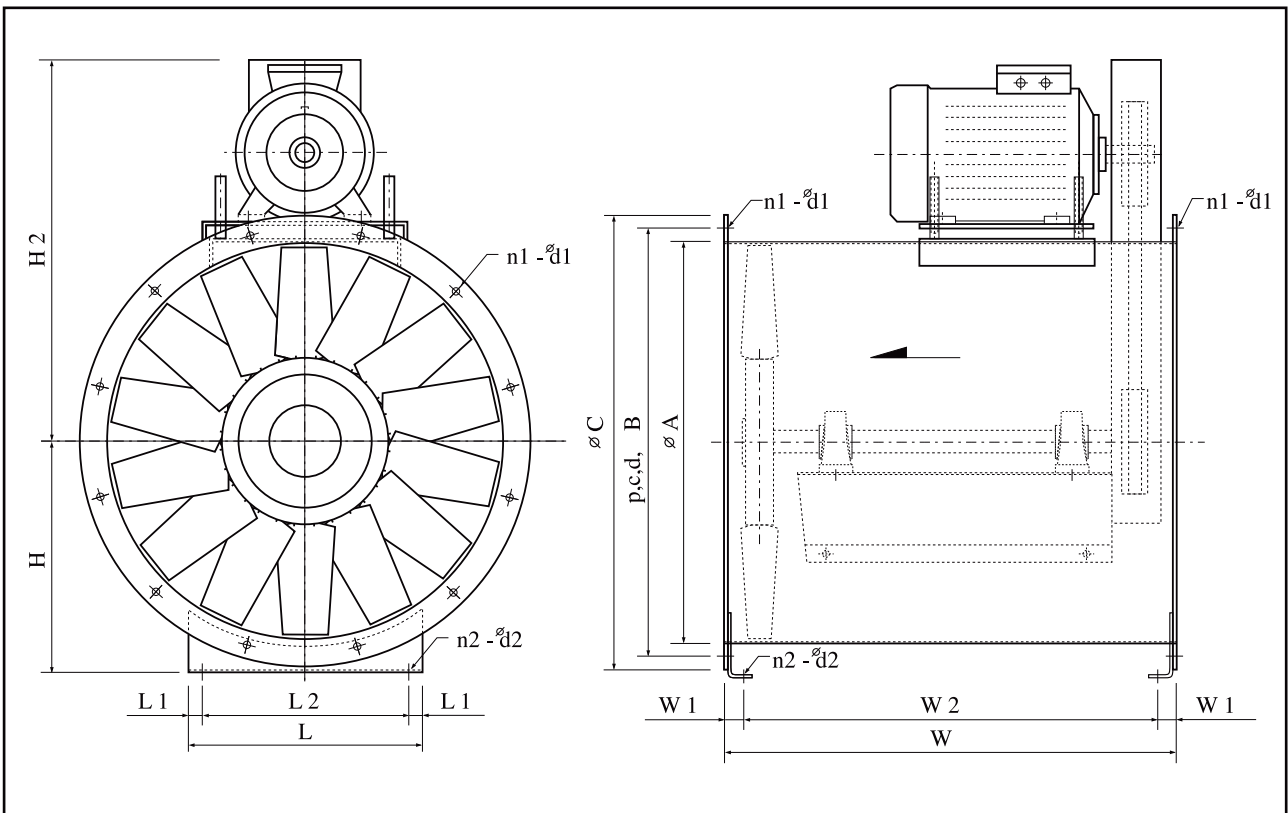
- Housing materials : Steel, Galvanized sheet or Stainless steel
- Impeller materials : Plastic, Aluminum or Steel

Applications:

- Duct ventilation systems
- Vacuuming polluted air



Type AV-Exxx #B



MODEL	MOTOR 3-Phase./380 V. Hp.	CAP. (CMM.)	SP. (mm.Aq)	ø A	B	ø C	L	L1	L2	W	W1	W2	H1	n1-ød1	n2-ød2
AV-E116#B	0.5-3	55-115	12-50	400	440	476	250	15	220	480	20	440	250	12 ^ø 10	4 ^ø 10
AV-E120#B	0.5-5	90-200	12-50	500	540	580	310	20	270	540	20	500	300	12 ^ø 12	4 ^ø 10
AV-E124#B	1.5-10	150-320	15-55	600	640	680	350	20	310	620	20	580	350	12 ^ø 12	4 ^ø 10
AV-E128#B	2-10	200-420	15-55	700	748	788	400	20	360	750	25	700	410	12 ^ø 12	4 ^ø 10
AV-E130#B	3-15	250-480	15-55	750	795	840	440	25	390	780	27.5	725	440	12 ^ø 12	4 ^ø 10
AV-E132#B	3-20	280-560	15-55	800	855	900	440	25	470	850	27.5	795	470	12 ^ø 12	4 ^ø 10
AV-E134#B	3-20	320-620	15-55	850	905	950	540	25	490	880	27.5	825	495	16 ^ø 12	4 ^ø 12
AV-E136#B	3-20	350-680	15-55	900	955	1000	600	25	550	920	27.5	865	520	16 ^ø 12	4 ^ø 12

Bearing : Pillow Type (UCP 2XX)

* Dimension might be adjusted without notice

